

# MÓDULOS FV YINGLI SOLAR

## Suplemento de módulos

Revision Date August 29, 2014 | Applicable for IEC certified products.



La información que se recoge en este suplemento se considera fidedigna, pero no constituye garantía expresa o implícita alguna. Yingli Solar se reserva el derecho de modificar sus módulos FV, así como otros productos y sus especificaciones o este suplemento sin notificación previa.

Este suplemento al manual de instalación no contiene información sobre series de módulos antiguos que ya no se fabrican en Yingli. Si necesita información sobre este tipo de módulos, por favor contacte con Yingli Solar.

Este suplemento comprende los módulos de los siguientes tipos::

Tabla 1: Tipos de módulos

FAMILIA	YGE 48 Cell 40mm Series	YGE 60 Cell 40mm Series YGE 60 Cell Series 2	YGE 72 Cell NH Series YGE 72 Cell Series 2	PANDA 48 Cell 40mm Series	PANDA 60 Cell 40mm Series PANDA 60 Cell Series 2	PANDA 72 Cell NH Series
TYPE	YL150P-23b	YL200P-29b	YL235P-35b	YL180C-24b	YL225C-30b	YL270C-36b
	YL155P-23b	YL205P-29b	YL240P-35b	YL185C-24b	YL230C-30b	YL275C-36b
	YL160P-23b	YL210P-29b	YL245P-35b	YL190C-24b	YL235C-30b	YL280C-36b
	YL165P-23b	YL215P-29b	YL250P-35b	YL195C-24b	YL240C-30b	YL285C-36b
	YL170P-23b	YL220P-29b	YL255P-35b	YL200C-24b	YL245C-30b	YL290C-36b
	YL175P-23b	YL225P-29b	YL260P-35b	YL205C-24b	YL250C-30b	YL295C-36b
	YL180P-23b	YL230P-29b	YL265P-35b	YL210C-24b	YL255C-30b	YL300C-36b
	YL185P-23b	YL235P-29b	YL270P-35b	YL215C-24b	YL260C-30b	YL305C-36b
	YL190P-23b	YL240P-29b	YL275P-35b	YL220C-24b	YL265C-30b	YL310C-36b
	YL195P-23b	YL245P-29b	YL280P-35b	YL225C-24b	YL270C-30b	YL315C-36b
	YL200P-23b	YL250P-29b	YL285P-35b		YL275C-30b	YL320C-36b
	YL205P-23b	YL255P-29b	YL290P-35b		YL280C-30b	YL325C-36b
	YL210P-23b	YL260P-29b	YL295P-35b			YL330C-36b
		YL265P-29b	YL300P-35b			YL335C-36b
			YL305P-35b			YL340C-36b
		YL310P-35b				
		YL315P-35b				
		YL320P-35b				

## REQUISITOS DE MONTAJE

### Método de montaje: Pernos y abrazaderas

Table 2: Mounting requirements

Módulos que requieren cuatro (4) puntos de anclaje	Módulos que requieren seis (6) puntos de anclaje
YGE 48 Cell 40mm Series	YGE 72 Cell Series 2
YGE 60 Cell 40mm Series	YGE 72 Cell NH Series
PANDA 48 Cell 40mm Series	PANDA 72 Cell NH Series
PANDA 60 Cell 40mm Series	
YGE 60 Cell Series 2	
PANDA 60 Cell Series 2	

## CARACTERÍSTICAS ELÉCTRICAS

Las especificaciones indicadas en la placa son valores medios. Las características eléctricas tienen un margen de +/- 10 por ciento de los valores indicados de  $I_{sc}$ ,  $V_{oc}$ , y  $P_{máx}$  en condiciones normales de prueba (irradiancia de 1000 W/m<sup>2</sup>, espectro AM de 1,5 y una temperatura de célula de 25 °C). Consulte las fichas técnicas para conocer las tolerancias específicas del rendimiento de potencia. Tenga en cuenta que no todas las clases de potencia están necesariamente disponibles para todas las series de módulos de la primera columna de la Tabla 3. Consulte la Tabla 1 para comprobar qué clases de potencia existen realmente para cada serie de módulos.

Tabla 3: Características eléctricas

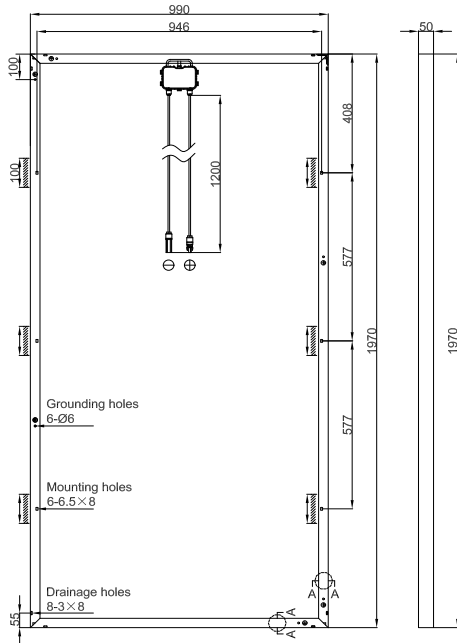
Series	Module	$P_{max}$ [W]	$V_{mpp}$ [V]	$I_{mpp}$ [A]	$V_{oc}$ [V]	$I_{sc}$ [A]	Max. system voltage [V]	Max. series fuse rating [A]
YGE 72 Cell NH Series YGE 72 Cell Series 2	YL320P-35b	320	36.9	8.68	46.0	9.12	1000	15
	YL315P-35b	315	36.6	8.60	45.8	9.06	1000	15
	YL310P-35b	310	36.3	8.53	45.6	8.99	1000	15
	YL305P-35b	305	36.1	8.45	45.4	8.93	1000	15
	YL300P-35b	300	35.8	8.37	45.2	8.86	1000	15
	YL295P-35b	295	35.6	8.29	45.0	8.79	1000	15
	YL290P-35b	290	35.3	8.22	44.8	8.73	1000	15
	YL285P-35b	285	35.0	8.14	44.6	8.66	1000	15
	YL280P-35b	280	34.7	8.06	44.4	8.59	1000	15
	YL275P-35b	275	35.5	7.75	45.0	8.30	1000	15
	YL270P-35b	270	35.3	7.65	44.8	8.20	1000	15
	YL265P-35b	265	35.3	7.50	44.6	8.15	1000	15
	YL260P-35b	260	35.0	7.43	44.6	8.04	1000	15
	YL255P-35b	255	35.0	7.28	44.5	7.90	1000	15
	YL250P-35b	250	35.0	7.15	44.3	7.80	1000	15
	YL245P-35b	245	34.8	7.05	44.2	7.70	1000	15
	YL240P-35b	240	34.8	6.90	44.0	7.60	1000	15
YL235P-35b	235	34.8	6.75	44.0	7.50	1000	15	
YGE 60 Cell 40mm Series YGE 60 Cell Series 2	YL265P-29b	265	30.5	8.70	37.8	9.18	1000	15
	YL260P-29b	260	30.3	8.59	37.7	9.09	1000	15
	YL255P-29b	255	30.0	8.49	37.7	9.01	1000	15
	YL250P-29b	250	29.8	8.39	37.6	8.92	1000	15
	YL245P-29b	245	29.6	8.28	37.5	8.83	1000	15
	YL240P-29b	240	29.3	8.18	37.5	8.75	1000	15
	YL235P-29b	235	29.3	8.18	37.5	8.75	1000	15
	YL230P-29b	230	29.1	8.08	37.4	8.66	1000	15
	YL225P-29b	225	29.5	7.63	36.5	8.28	1000	15
	YL220P-29b	220	29.0	7.59	36.5	8.15	1000	15
	YL215P-29b	215	29.0	7.41	36.0	8.10	1000	15
	YL210P-29b	210	28.5	7.37	36.0	7.95	1000	15
	YL205P-29b	205	28.5	7.19	36.0	7.86	1000	15
YL200P-29b	200	28.5	7.02	36.0	7.68	1000	15	

YGE 48 Cell 40mm Series	YL210P-23b	210	24.8	8.47	31.2	9.04	1000	15
	YL205P-23b	205	24.5	8.36	30.9	8.94	1000	15
	YL200P-23b	200	24.2	8.25	30.7	8.85	1000	15
	YL195P-23b	195	24.0	8.14	30.4	8.75	1000	15
	YL190P-23b	190	23.7	8.03	30.1	8.65	1000	15
	YL185P-23b	185	23.4	7.91	29.9	8.56	1000	15
	YL180P-23b	180	23.1	7.80	29.6	8.46	1000	15
	YL175P-23b	175	23.0	7.61	29.0	8.20	1000	15
	YL170P-23b	170	23.0	7.39	29.0	8.10	1000	15
	YL165P-23b	165	23.0	7.17	29.0	7.90	1000	15
	YL160P-23b	160	23.0	6.96	29.0	7.70	1000	15
	YL155P-23b	155	22.5	6.89	29.0	7.40	1000	15
YL150P-23b	150	22.5	6.67	29.0	7.20	1000	15	
PANDA 72 Cell NH Series	YL340C-36b	340	38.5	8.82	47.0	9.25	1000	15
	YL335C-36b	335	38.1	8.79	46.8	9.25	1000	15
	YL330C-36b	330	37.7	8.76	46.6	9.25	1000	15
	YL325C-36b	325	37.3	8.72	46.4	9.24	1000	15
	YL320C-36b	320	36.8	8.69	46.2	9.24	1000	15
	YL315C-36b	315	36.4	8.65	46	9.23	1000	15
	YL310C-36b	310	36	8.61	45.8	9.21	1000	15
	YL305C-36b	305	35.6	8.58	45.6	9.20	1000	15
	YL300C-36b	300	35.1	8.54	45.4	9.12	1000	15
	YL295C-36b	295	36.6	8.06	45.7	8.61	1000	15
	YL290C-36b	290	36.5	7.96	45.7	8.48	1000	15
	YL285C-36b	285	36.3	7.85	45.6	8.36	1000	15
	YL280C-36b	280	35.9	7.81	45.1	8.36	1000	15
	YL275C-36b	275	35.6	7.74	44.5	8.35	1000	15
YL270C-36b	270	35.3	7.66	43.9	8.33	1000	15	
PANDA 60 Cell 40mm Series PANDA 60 Cell Series 2	YL280C-30b	280	31.3	8.96	39.1	9.5	1000	15
	YL275C-30b	275	30.9	8.91	38.8	9.47	1000	15
	YL270C-30b	270	30.5	8.85	38.6	9.43	1000	15
	YL265C-30b	265	30.1	8.79	38.3	9.37	1000	15
	YL260C-30b	260	29.7	8.74	38.1	9.35	1000	15
	YL255C-30b	255	29.4	8.68	37.8	9.29	1000	15
	YL250C-30b	250	29.1	8.6	37.5	9.14	1000	15
	YL245C-30b	245	30.4	8.07	38.1	8.59	1000	15
	YL240C-30b	240	30.3	7.93	38.0	8.47	1000	15
	YL235C-30b	235	29.9	7.87	37.6	8.41	1000	15
YL230C-30b	230	29.6	7.76	37.0	8.40	1000	15	
YL225C-30b	225	29.4	7.66	36.4	8.39	1000	15	
PANDA 48 Cell 40mm Series	YL225C-24b	225	24.8	9.06	31.4	9.55	1000	15
	YL220C-24b	220	24.6	8.94	31.1	9.48	1000	15
	YL215C-24b	215	24.4	8.81	30.9	9.41	1000	15
	YL210C-24b	210	24.2	8.69	30.7	9.34	1000	15
	YL205C-24b	205	23.9	8.57	30.5	9.27	1000	15
	YL200C-24b	200	23.7	8.44	30.2	9.14	1000	15
	YL195C-24b	195	23.4	8.32	30.0	9.00	1000	15
	YL190C-24b	190	23.9	7.95	30.1	8.50	1000	15
	YL185C-24b	185	23.7	7.81	29.6	8.44	1000	15
YL180C-24b	180	23.5	7.66	29.1	8.41	1000	15	

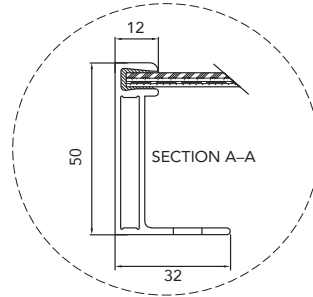
# VISTAS POSTERIOR Y LATERAL DE LAS DIMENSIONES DE LOS MÓDULOS DE LAS SERIES CON MARCO DE 50 MM

UNITS: mm

## PANDA 72 Cell NH Series (also valid for YGE 72 Cell NH Series)



## Frame Cross Section



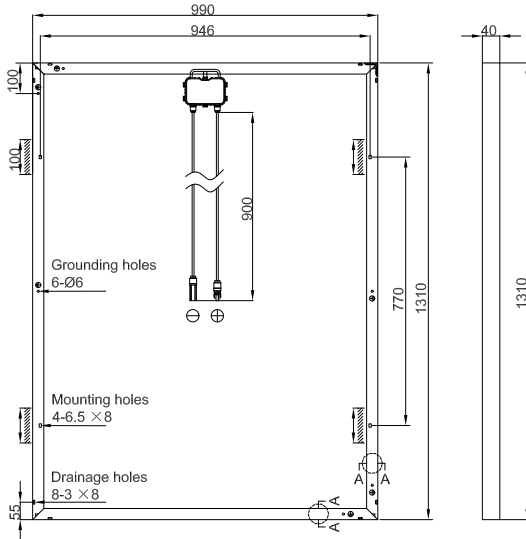
## Leyenda

- Grounding holes
- ▣ Mounting holes
- Drainage holes
- ▨ Mounting tolerance

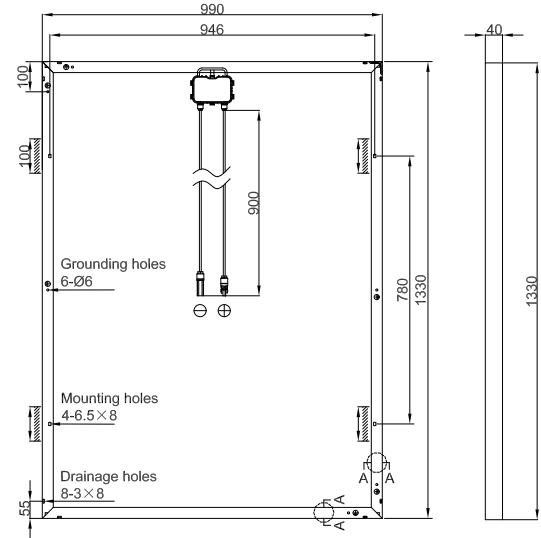
# VISTAS POSTERIOR Y LATERAL DE LAS DIMENSIONES DE LOS MÓDULOS DE LAS SERIES CON MARCO DE 40 MM

UNITS: mm

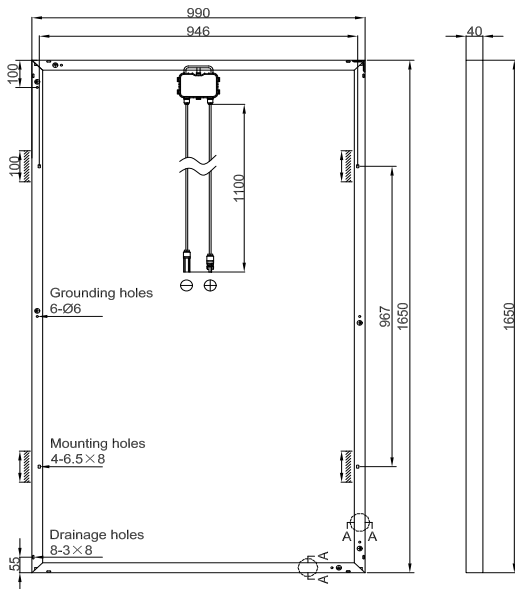
YGE 48 Cell 40mm Series



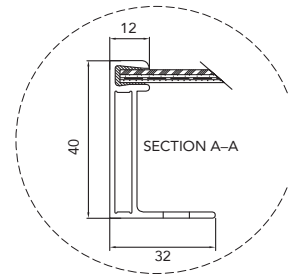
PANDA 48 Cell 40mm Series



PANDA 60 Cell 40mm Series  
(also valid for YGE 60Cell 40mm Series)



Frame Cross Section



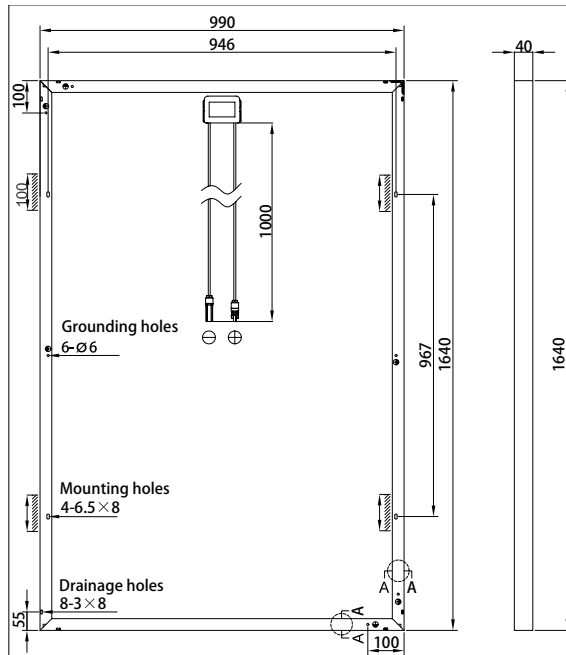
## Leyenda

- Grounding holes
- Mounting holes
- Drainage holes
- ▨ Mounting tolerance

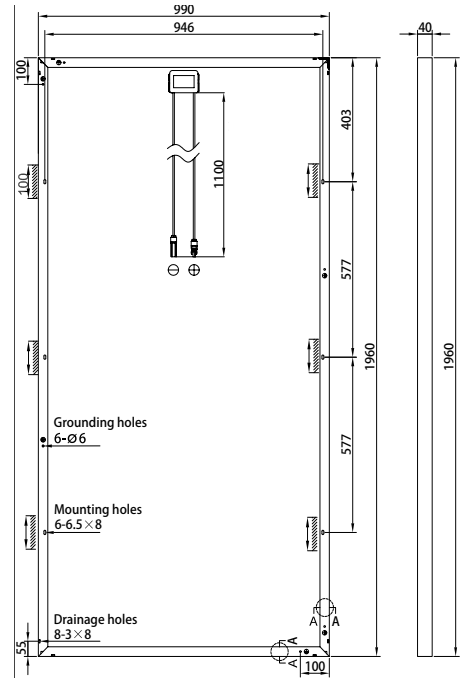
# VISTAS POSTERIOR Y LATERAL DE LAS DIMENSIONES DE LOS MÓDULOS DE LAS SERIES CON MARCO DE 40 MM

UNITS: mm

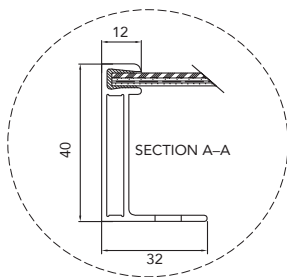
## PANDA 60 Cell Series 2



## YGE 72 Cell Series 2



## Sección Transversal del marco



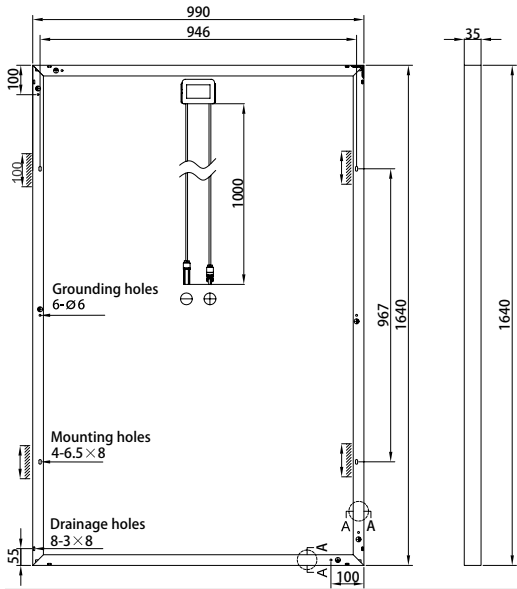
## Leyenda

- Grounding holes
- Mounting holes
- Drainage holes
- ▨ Mounting tolerance

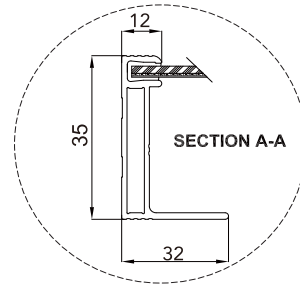
# VISTAS POSTERIOR Y LATERAL DE LAS DIMENSIONES DE LOS MÓDULOS DE LAS SERIES CON MARCO DE 40 MM

UNITS: mm

## YGE 60 Cell Series 2



## Sección Transversal del marco



## Leyenda

- Grounding holes
- Mounting holes
- Drainage holes
- ▨ Mounting tolerance

Yingli Green Energy Holding Co. Ltd.  
 service@yingli.com  
 Tel: 0086 312 2188055

[YINGLISOLAR.COM](http://YINGLISOLAR.COM) | NYSE:YGE

© Yingli Green Energy Holding Co. Ltd. | Module Supplement\_IEC\_EN\_201408\_v03