

IBS72M

KEY FEATURES



years
**Product
Warranty**



years
**Performance
Warranty**



Cell efficiency
up to **21.0 %**



Module efficiency
up to **19.0 %**



Heavy snow load
up to **5,400 Pa**



Wind load
up to **2,400 Pa**



PID Free



ELECTRICAL PARAMETERS

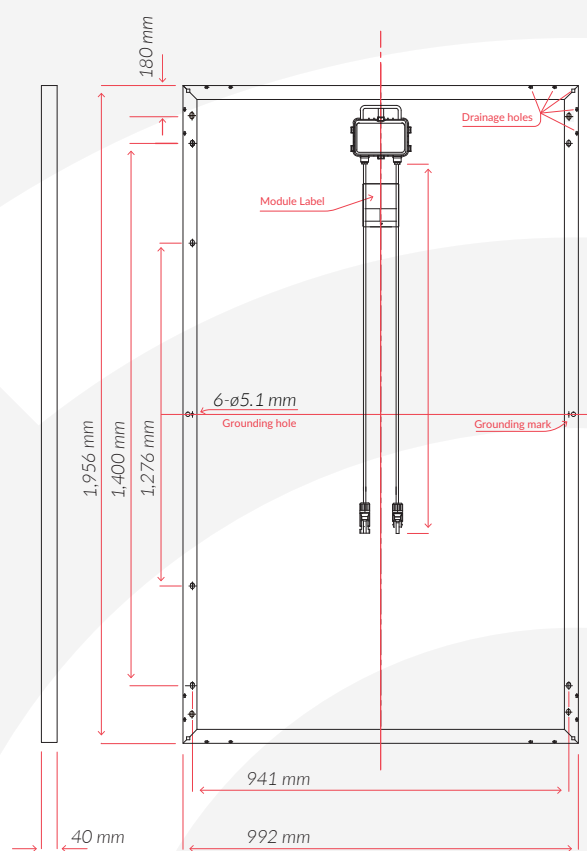
Model	IBS72M				
Maximum Power (Pmax/W)	340	345	350	355	360
Operating Voltage (Vmpp/V)	39.5	39.9	38.3	38.7	39.1
Operating Current (Impp/A)	8.61	8.65	9.16	9.19	9.23
Open-Circuit Voltage (Voc/V)	46.3	46.5	47.3	47.5	47.7
Short-Circuit Current (Isc/A)	9.35	9.42	9.62	9.69	9.76
Module Efficiency η_m (%)	17.5	17.8	18.0	18.3	18.6
Power Tolerance	0+5 Wp				
NOCT	45±2°C				

Values at Standard Test Conditions STC (AM 1.5, Irradiance 1000 W/m², Cell Temperature 25°C)

SPECIFICATIONS

Cell Type	Mono Crystalline
Cells size	156x156 mm
Number of cells	72
Weight	22.5 kg
Front side glass	High transmission tempered glass
Dimensions	1,956x992x40 mm
Cable length	1,000 mm
Cable cross section size	4 mm ²
Number of bypass diodes	3
Connectors	MC4 / MC4 compatible
Frame	Anodized Aluminium Alloy
Junction Box	IP67

ENGINEERING DRAWINGS



WORKING CONDITIONS

Maximum System Voltage	DC 1,000 V / 1,500 V available
Operating temperature	-40°C / +80° C
Maximum reverse current	15A
IP protection level	IP65
Safety class	II

TEMPERATURE COEFFICIENTS

Power temperature coefficient (Pmax)	-0,39 %/°C
Voltage temperature coefficient (Voc)	-0,29 %/°C
Current temperature coefficient (Isc)	+0,049 %/°C



PACKAGING INFORMATION (I)

Pallet dimension	1,990/1,120/1,120 mm
Pallet weight	635 kg
Modules/pallet	26

PACKAGING INFORMATION (II)

Container	20 GP	40 GP	40 HQ
Pallets per container	10	24	24
Pieces per container	260	624	672

PARTNERS